

MAKE	Line
PRODUCT GROUP	Line Master
PRODUCT TYPE	Saniter
SERIES	PLUMBING PRODUCTS
DESCRIPTION	OFFSET WC CONNECTOR
FINISH	Grey
ART. NO.	OWC159

LOCAL SUPPLIER	
COMPANY	Line LLC
ADDRESS	P.O. No: 74154, Office No:1478, Tower, Dubai, U.A.E
CONTACT	Ahmed
MOBILE PHONE	+71 23498657
TELEPHONE	+971 (05) 321 0321
FAX	+971 (05) 321 0654
EMAIL	info@line.com



WC Connector

SPECIFICATION

- Made of special PVC based polymer which is soft, durable and flexible material.
- Self-Extinguishing (only burns in the presence of flame)
- Integrated finned seals to suit pipe sizes 80-90-100 mm.
- Flexibility tolerance limit of 30 mm accommodates wide range of eccentricity a rised during installation.
- Suitable for offset range of up to 40 mm max

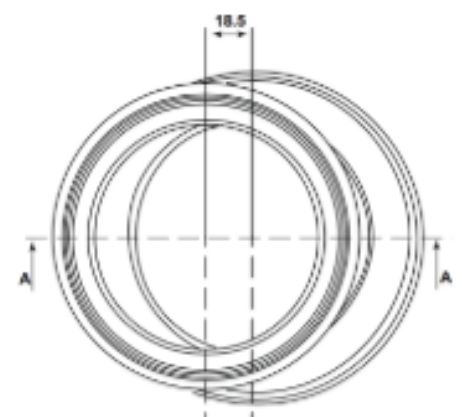
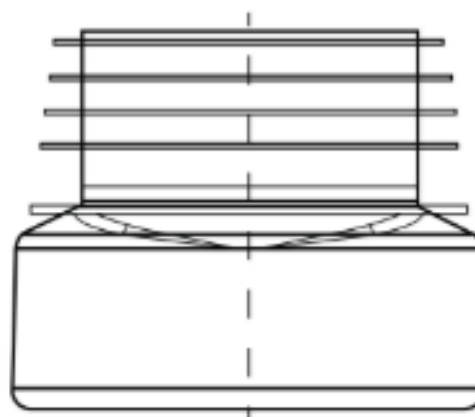
TECHNICAL DATA

Suitable for Pipe size	: 80-90-100 mm
Length/height	: 105 mm
Max temperature	: + 70 °C
Flexibility tolerance	: 5
Eccentricity/Offset	: 15

TENDER SPECS

WC Connector shall be made from special PVC based polymer to ensure softness, durability and flexibility, Self-Extinguishing and it would have Integrated finned seals to suit pipe sizes 90-100-110mm with flexibility limit of 30 mm. The product will be Line make.

TECHNICAL DRWAS



All Dimensions are in 'mm'

NOTE: Whilst all reasonable care has been taken in compiling the information in this document, the designs, dimensions, specifications, weights photos shown are indicative only and non binding. These data should not be relied upon without our prior written approval. Due to our policy of continuous development, we reserve the right to modify/discontinue the design, construction or appearance of goods mentioned in this document, website and any other publication including installation manuals, price lists any time without notice and without re-course. Project pictures, product models, certifications and approvals shown may also be of the similar product but sold under other brand. All products are not available in every country. Copy, reprinting and photo-mechanical reproduction, also in extracts is forbidden without our written agreement.

Live AS

Herriotstr. 1
408754 Frankfurt am Main,
Germany Ph : +49(0)45 78945 123
Fax : +49(0)45 784572 324
Email : info@live.com
Web : www.live.com